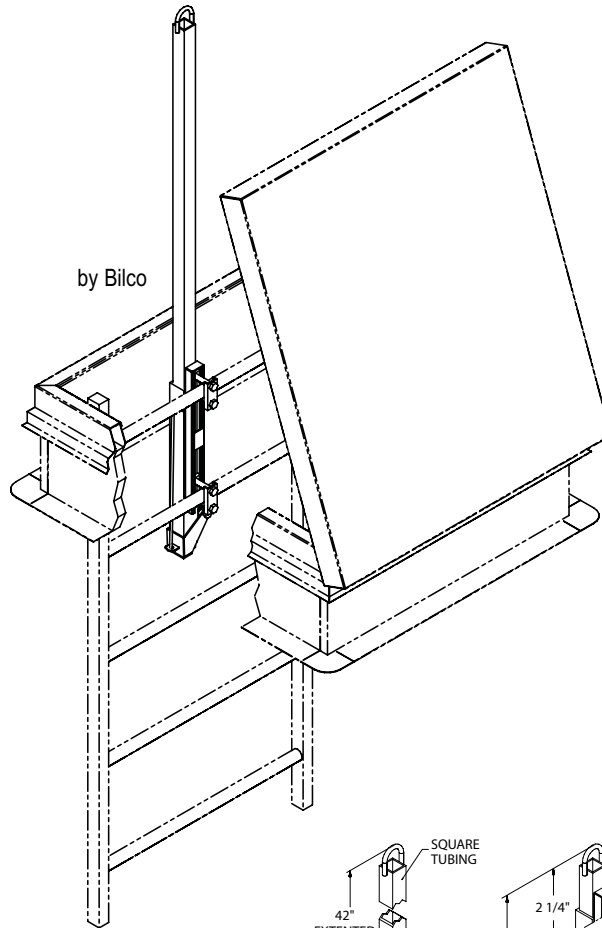


## DETAIL & SUBMITTAL SHEET

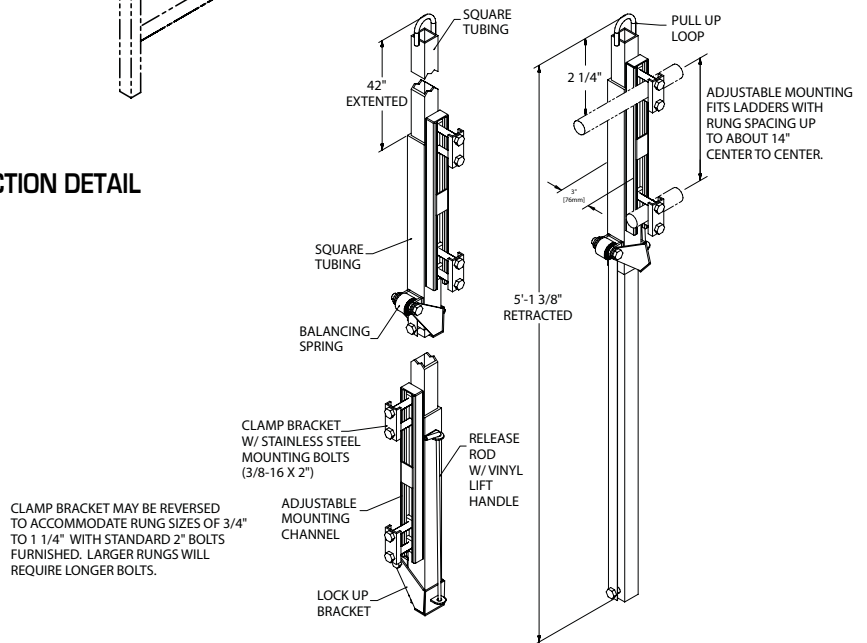
### SPECIFICATIONS:

The Bilco LadderUP is furnished completely assembled, ready to mount on rear of ladder with clamp brackets on climbing side

- Bracket may be reversed to accommodate rung sizes of 3/4" to 1 1/4" with standard 2" furnished stainless steel mounting bolts. Larger rungs require longer bolts.
- Adjustable mounting fits ladders with rung spacing up to about 14" center to center
- Features pull up loop, release rod with vinyl lift handle, lock up bracket, balancing spring, square tubing, and adjustable mounting channel
- The Bilco BilGuard Hatch Rail System is available 36" x 30" and other sizes. Call for availability.



### SECTION DETAIL



✓	Item No.	Material/Finish	Ship Wt. Lbs.
	LU 1*	Steel/black	24
	LU 2*	Steel/galvanized	24
	LU 3	Stainless Steel	24
	LU 4	Aluminum/mill finish	14

\* Stock item

LU 3 and LU 4 available upon request

Project: \_\_\_\_\_ Date: \_\_\_\_\_

Contractor: \_\_\_\_\_ Architect: \_\_\_\_\_

Sizes: \_\_\_\_\_ Quantity: \_\_\_\_\_ Approval Initials: \_\_\_\_\_



Phone: 1-800-255-5515 • Fax: 1-800-822-5001

[www.wbdoors.com](http://www.wbdoors.com)