

## DETAIL & SUBMITTAL SHEET

### SPECIFICATIONS:

**Finish:** Galvanized (hot dipped).

**Chain System:** 3/16" proof coil ASTM specification, zinc plated with quick link and "S" hook

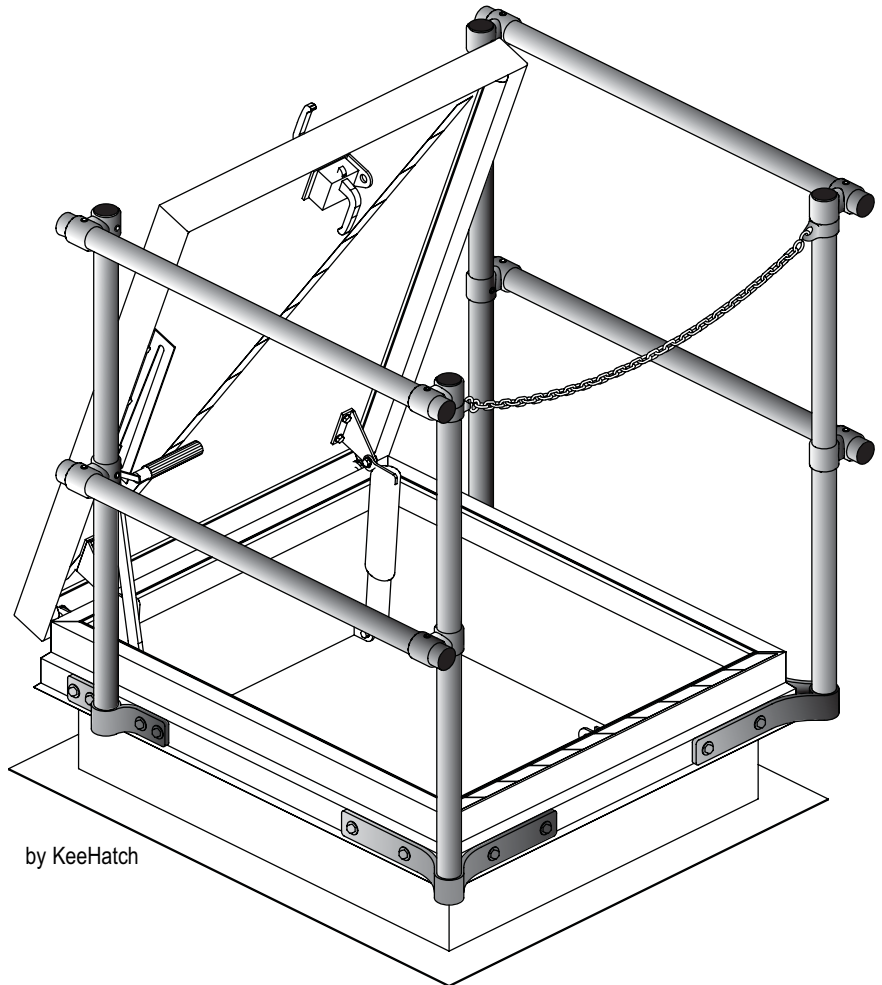
**Self closing gate:** (optional to chain) Manufacturer's standard spring or gravity operated

**Pipe plug:** Weather and light resistant for pipe ends

**Bolts:** Hex head bolts 3/8", grade Z, zinc plated with manufacturer's standard washers inside and outside

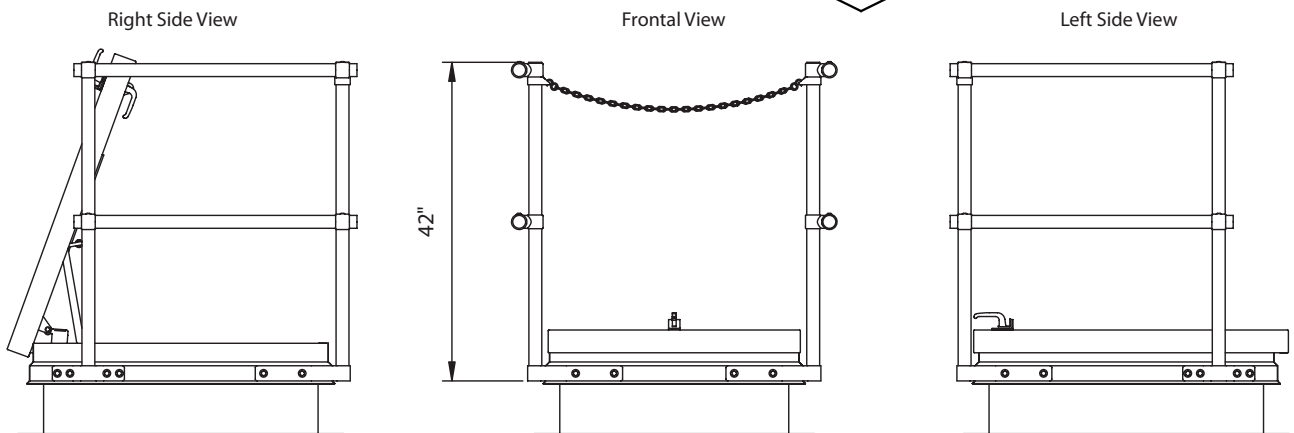
**Railing fittings:** Manufacturer's standard cast fittings, galvanized

**Sealant for brackets:** Manufacturer's standard



by KeeHatch

### ELEVATION



### OPTIONS: (AT EXTRA COST)

- Self closing gate
- Chain system

| ✓ | Item No.        | Ship Wt. Lbs. |
|---|-----------------|---------------|
|   | WB RHR SS 3630* | 87            |

\* Stock item

Project: \_\_\_\_\_ Date: \_\_\_\_\_

Contractor: \_\_\_\_\_ Architect: \_\_\_\_\_

Sizes: \_\_\_\_\_ Quantity: \_\_\_\_\_ Approval Initials: \_\_\_\_\_



Phone: 1-800-255-5515 • Fax: 1-800-822-5001

[www.wbdoors.com](http://www.wbdoors.com)