

## DETAIL & SUBMITTAL SHEET

WALLS ONLY

### SPECIFICATIONS:

**Door:** 20 ga. galvanized steel, double wall

**Frame:** 16 ga. galvanized steel

**Insulation:** 1" thick 3lb. density insulation

**Gasketing:** 1/2" wide neoprene closed cell door to frame gasketing

**Latch:** 2 exterior latches with interior handles

### OPTIONS:

**Finishes:**

Stainless Steel Type 316 No. 4 Satin Finish Brushed

**Options:**

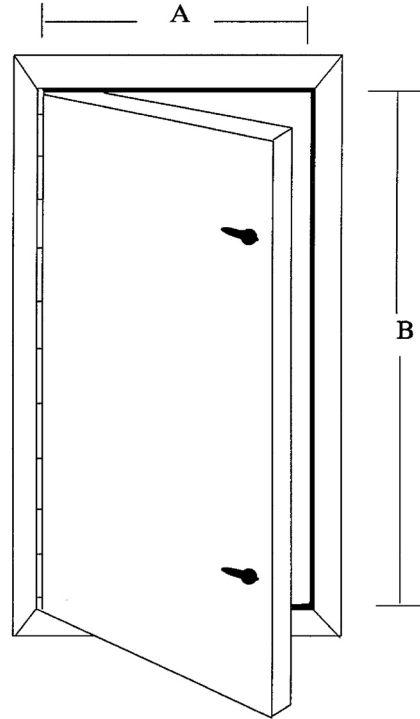
Extra latches

12" x 12" View Port

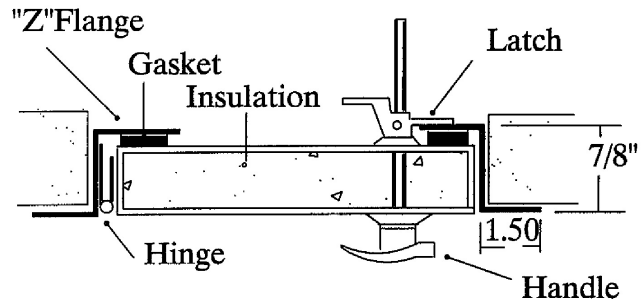
✓	Item No.	Door Size W x H*
	WIN 1700	18 x 36
	WIN 1700	18 x 48
	WIN 1700	24 x 36
	WIN 1700	24 x 48
	WIN 1700	24 x 54
	WIN 1700	24 x 60
	WIN 1700	24 x 66
	WIN 1700	24 x 72
	WIN 1700	30 x 36
	WIN 1700	30 x 48
	WIN 1700	30 x 54
	WIN 1700	30 x 60
	WIN 1700	30 x 66
	WIN 1700	30 x 72

\* All sizes available only by special order

FRONT ELEVATION



SECTION DETAIL



Project: \_\_\_\_\_ Date: \_\_\_\_\_

Contractor: \_\_\_\_\_ Architect: \_\_\_\_\_

Sizes: \_\_\_\_\_ Quantity: \_\_\_\_\_ Approval Initials: \_\_\_\_\_



Corporate Office: 1330 Progress Drive • Front Royal, VA 22630  
Phone: 1-800-255-5515 • Fax: 1-800-822-5001

[www.wbdoors.com](http://www.wbdoors.com)